

OCTAVE

AUDIO RACK



OCTAVE AUDIO RACK

This rack blends functionality with premium aesthetics and a long shelf life with strength. It is crafted with 30 mm solid wood, while the pipes and other components like bush, spike sets etc. are made with 304 grade stainless steel - making it perfect for your heavy equipment. The pipes, filled with dampening material, ensure great synchronisation with the shelves. Each tier is decoupled into two shelves to ensure anti-vibration properties. The spikes at the feet of the rack direct the accumulated vibrations downwards for enhanced performance. Planned with integrated wire management and open design, this rack ensures adequate airflow to keep your equipment cool.

Technical Specification:

- Pillars : Stainless Steel Pipes filled with dampening material
- Hardware : Stainless Steel 304 Grade 7 & concealed rubber rings to dampen vibrations
- Shelves : 30mm solidwood
- Sustainability : Each shelf can bear the load of 50kgs
- Outer Dimensions : 604 x 552 x 744 (mm)
- Inner Dimensions : 488 x 400 x 744 (mm)
- Design : Open design for integrated wire management and equipment cooling.



White Ash Wood



Teak Wood



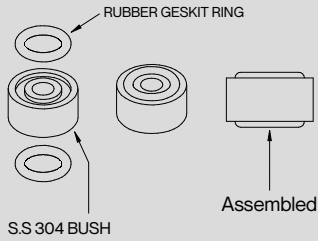
American Oak Wood



Solidwood Hard Wood

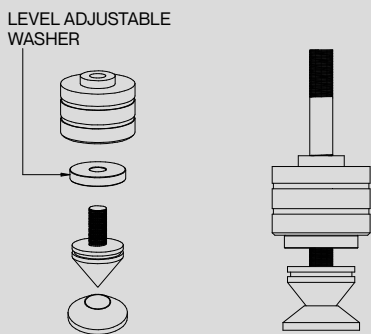


ANTI VIBRATION BUSH



Anti-vibration bush is to separate two shelves in such a way that there is no transmission of vibrations and frequencies from one shelf to another.

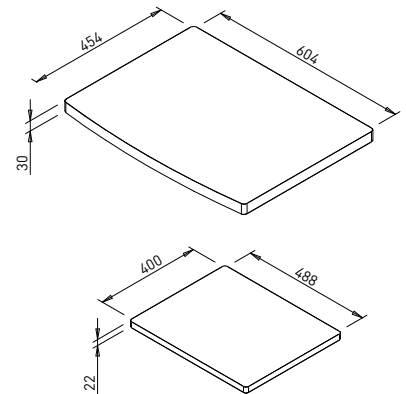
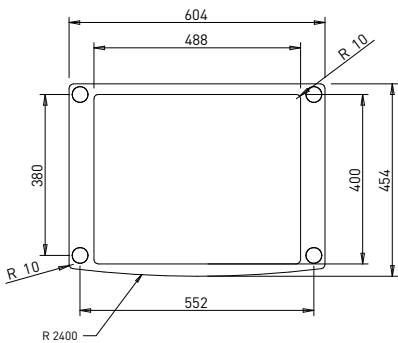
CONICAL SET



While setting up your audio rack, if the floor / surface is not leveled, the thread can be adjusted - raised or lowered with the adjustable washer. This will help in levelling your Hi-Fi Rack with the surface.



AUDIO RACK 1



ALL DIMENSION ARE IN MM

